



# DONA II

## TOWING TUG



### PRINCIPAL PARTICULARS

Built	1972
Builder	Damen Shipyard, Holland
Flag	Bahrain
Official No.	BN7124
Call Sign	A9D2585
GRT	36
Deadweight (T)	14
Bollard Pull (T)	7

### MACHINERY

Main Engines	2x GM 12V71
Power	720 hp @ 1800 rpm
Generators	1x Olympian 22KW, 240V, 50Hz, 3Ph
Propellers	2 Solid
Rudders	Twin Coupled Flat Blade

### DECK EQUIPMENT

Towing Wire/Rope	1x 2.5" Polypropylene rope, 30m
Anchors	1x 45 Kg with 192.5m / 13mm
Anchor Winch	Hydraulic

### PRINCIPAL DIMENSIONS

Length (m) LOA	15.73
Breadth (m)	4.76
Depth (m)	2.30
Max. Draft (m)	1.60

### CARGO CAPACITIES

Fuel Oil (m <sup>3</sup> )	8.6
Potable Water (m <sup>3</sup> )	2

### SPEED & CONSUMPTION

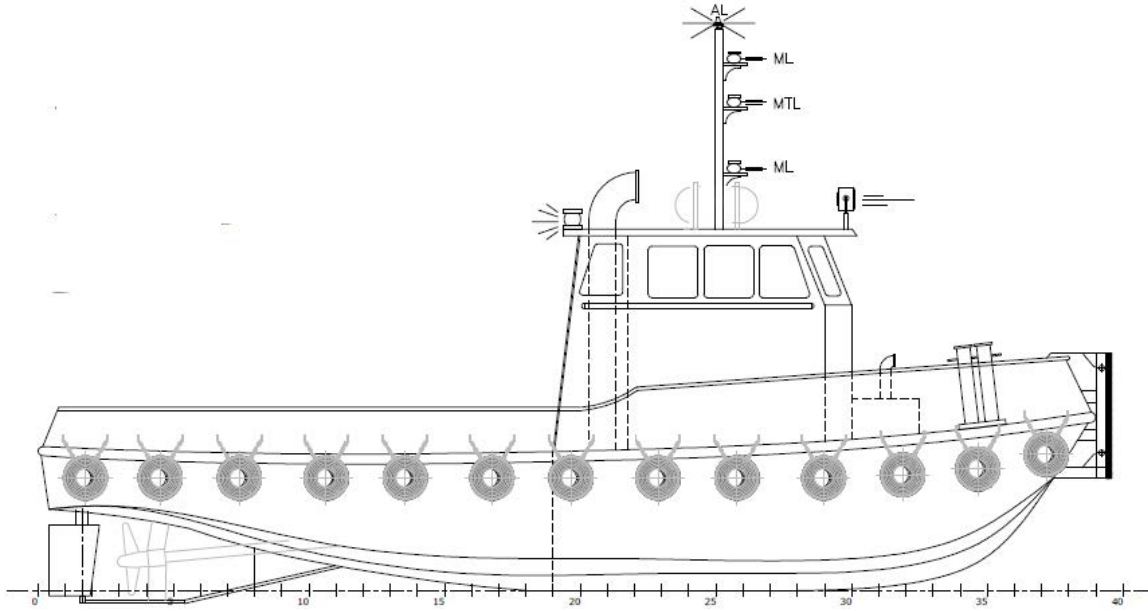
Max. Speed (Knots)	9
Daily Consumption (T)	2
Economical Speed (Knots)	7
Fuel Type	Marine Gas Oil

### NAVIGATION EQUIPMENT

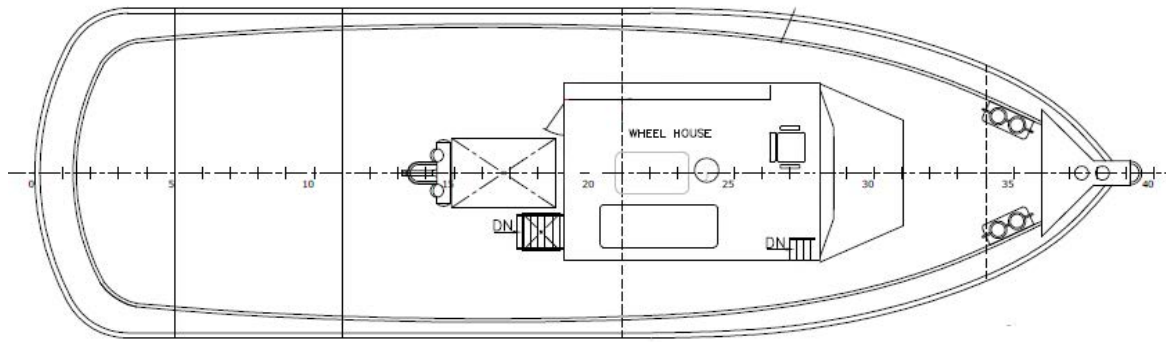
GPS	1x Koden
Radar	1x Raymarine
Echo Sounder	1x Datamarine
VHF Radio	2x Sailor
Magnetic Compass	Yes
Rudder Indicator	Yes



### GENERAL ARRANGEMENT PLAN - DONA II



**SIDE VIEW**



**TOP VIEW DECK LEVEL**