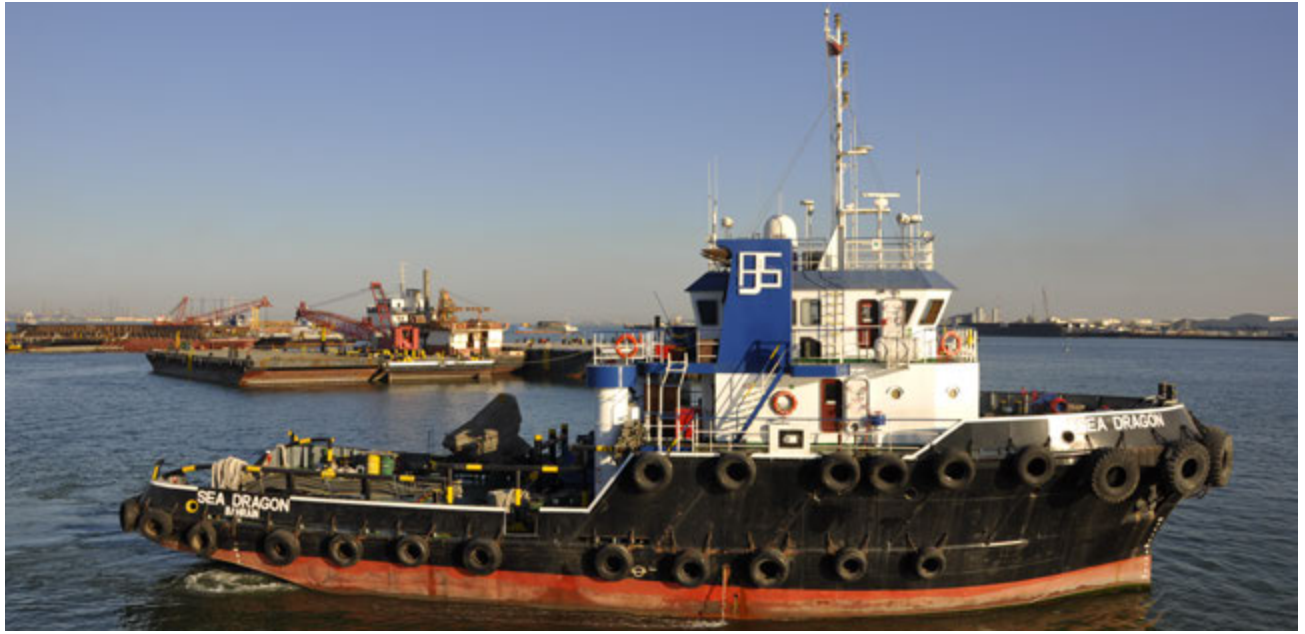




SEA DRAGON

TOWING TUG



PRINCIPAL PARTICULARS

Built	2007
Builder	Hung Seng, Sibul, Malaysia
Flag	Bahrain
Class	DNVGL
Class No.	113372
Official No.	BN 6052
IMO No.	9498858
Call Sign	A9D3153
GRT	398
NRT	120
Accommodation	14 PAX

MACHINERY

Main Engines	2x Cummins KTA 50M2
Power	2x 1600 Bhp
Generators	2x Cummins 80Kw each
Propellers	2x Kort Nozzle
Rudders	2
Oil Water Separator	0.25m ³ /Hr

DECK EQUIPMENT

Anchor Windlass	Hydraulic 3T
Anchors (Stockless)	2x 660 Kg
Tow Hook Hiab	1x 40T
Crane PS Aft	SWL 1.2T
Towing Winch	Double Drum
Bollard Pull	40T

SPEED & CONSUMPTION

Max. Speed (Knots) Daily	14
Consumption (T)	5.0
Fuel Type	MDO

PRINCIPAL DIMENSIONS

Length (m) LBP/LOA	30.08 / 34.00
Breadth (m)	10.60
Depth (m)	4.95
Max. Draft (m)	4.20

CARGO CAPACITIES

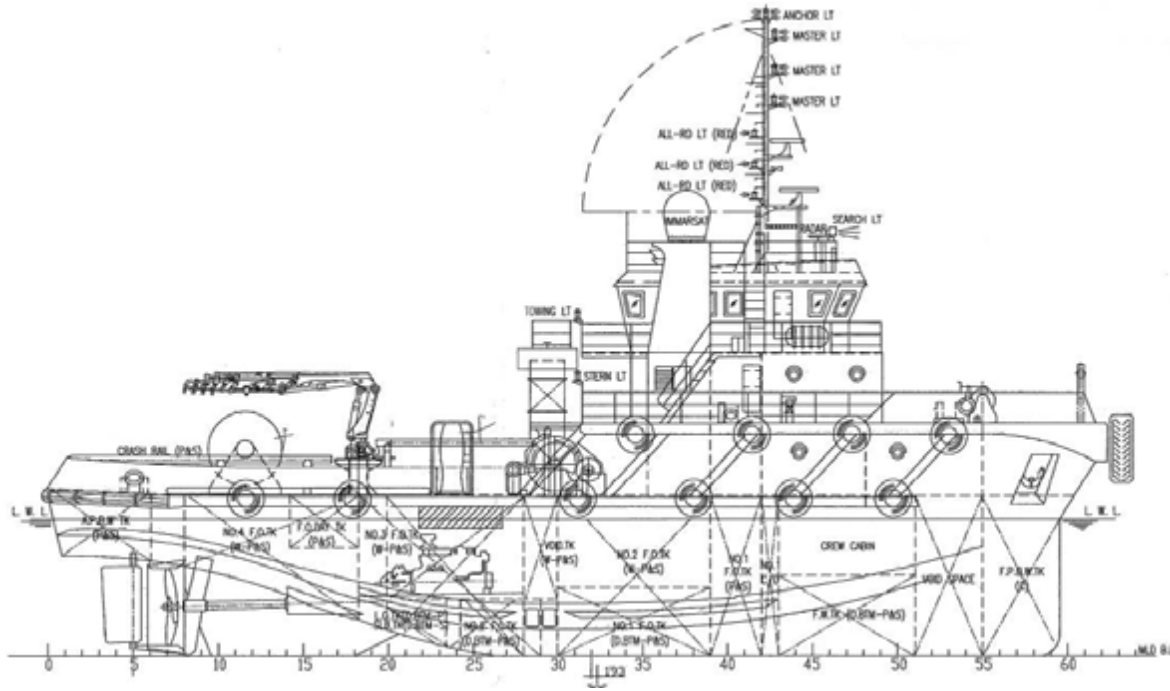
Diesel Fuel Oil (T)	309
Potable Water (T)	51
Dirty Oil Tank (T)	53
Lub Oil Tank (T)	2
Sewage Treatment	0.9m ³ /Hr

NAVIGATION EQUIPMENT

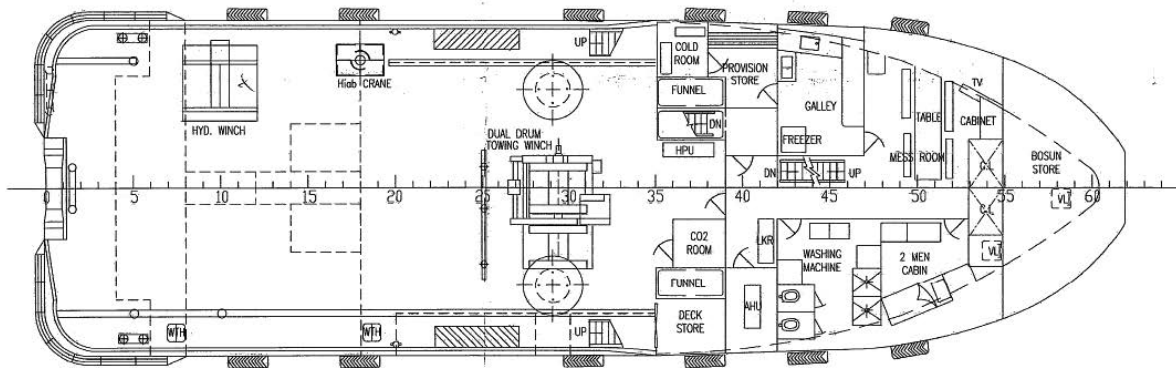
Radar	Furuno FR-1510 & RPD-118
Doppler	Furuno DS-80
AIS	Furuno FA-150
Satellite Compass	Furuno SC-502
GPS	Furuno 2x GP-150
Echo Sounder	Furuno FE-701
Navtex	Furuno FE-701 / NX700
Magnetic Compass	Osaka T-150B
Inmarsat-C	Furuno 2x Felcom 15
SSB	Furuno FS-2570C
VHF	Furuno 2x FM8800S
Auto Pilot	Comnav Admiral P3
Fax 408 Receiver	Furuno FAX-408
Thrane 77	Sailor 77 Fleet+
GMDSS Portable ICOM	2x IC-GM1600
VHF Transceiver	2x Standard HX270S
EPIRB Samyung	SEP 406
SART, Jotron	TRON SART 20



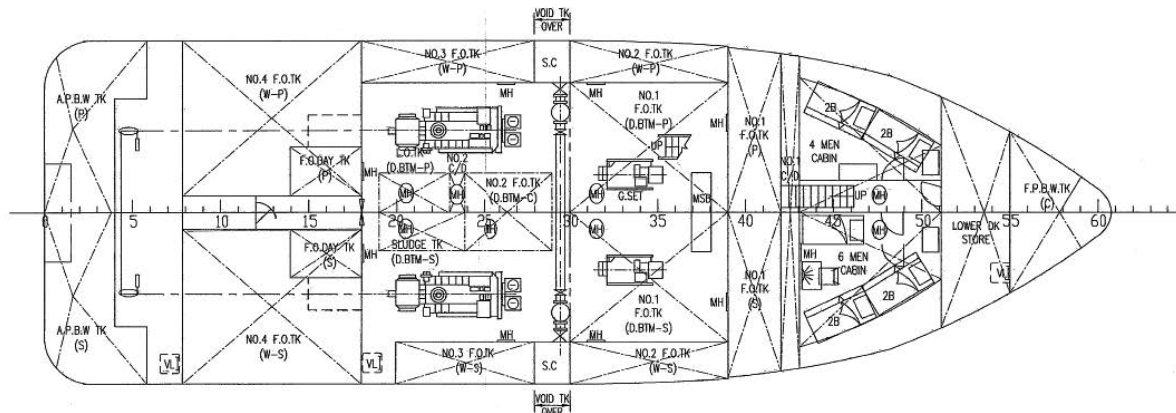
GENERAL ARRANGEMENT PLAN - SEA DRAGON



SIDE VIEW



MAIN DECK VIEW



BELOW MAIN DECK VIEW